

¼ NPTCOUPLING BODY (NON VALVED)

Part #: **VCL10004**

Connection Type: Panel Mount Ferrule-less polytube

Material: Brass

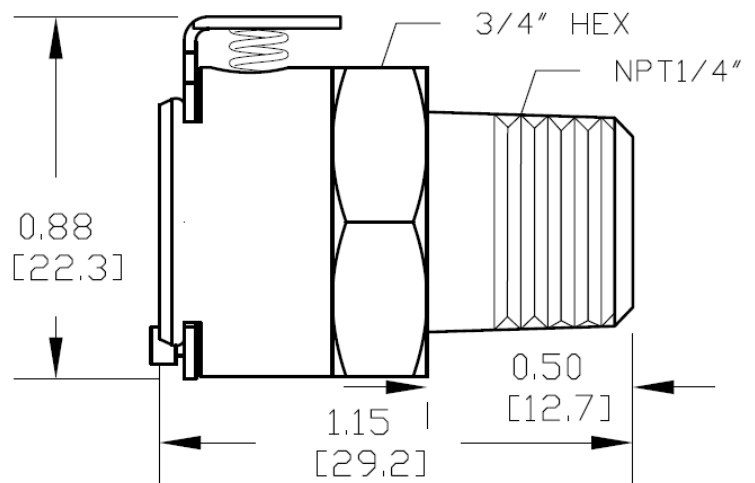
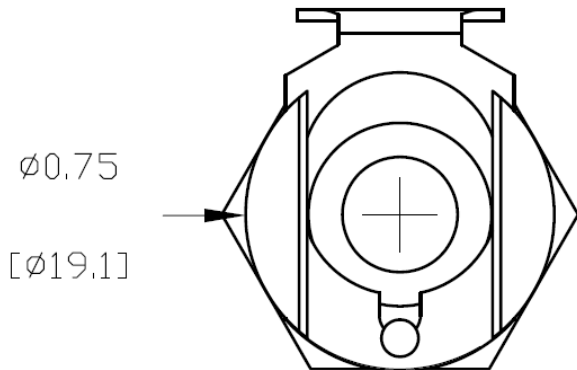
Material Finish: Chrome Plated

Pressure Range: Vacuum to 250 psi, 17.3 bar

Temp. Range: -40°F to 180°F (-40°C to 82°C)

Mounting Option: ¼ NPT

Valve Option: Non-Valve



Seal: Nitrile

Components:

Main Body: Chrome Plated Brass

Thumb Latch: Stainless Steel

External Spring: Stainless Steel